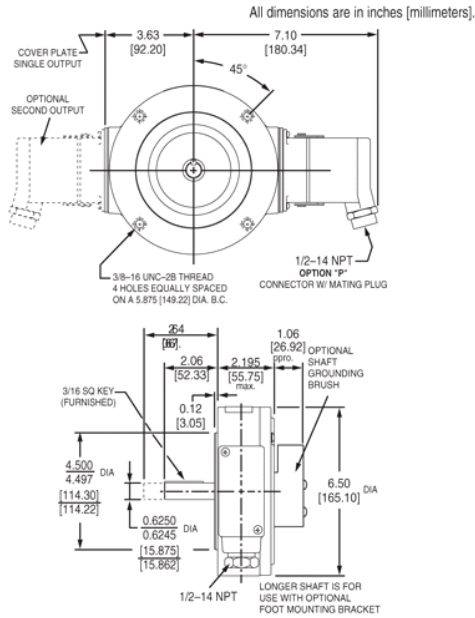


OUTLINE DRAWING



MORE M3 ADVANTAGES

- Highly resistant to electrical and magnetic motor and brake noise
- Auxiliary channel offers separate low frequency outputs (1/4) at no extra charge on each output
- Marker Pulse Standard
- Available C-Face tether kits (4.5" to 16")
- Available threaded rod torque arm
- Optional OSHA finger guard
- Optional shaft grounding brush
- Optional dual output for backup, complete isolation between outputs
- 1 Year No-Hassle Warranty

M3 SPECIFICATIONS

Operating Power: 5-24 VDC, 5-18V, 12-24V; Current 120mA, no load

Output Format: A,A-, B,B-, C,C-; Marker Z,Z-

Frequency Range: 0 to 150 KHz

PPR: 240-2500

Speed:

5000 RPM Max. Std., shafts 1 1/2" to 1 5/8"

3600 RPM Max. Std., shafts 2" to 2 3/8"

(for higher speeds, consult factory)

Temperature: -40* to 85°C (*-20° standard)

Chemical: Polyurethane enamel paint protects against salt spray, mild acids, and bases

Weight: 7 lbs.

All dimensions are in inches [millimeters].

Check out our website for more detailed specifications, drawings, and Specifications and features are subject to change without notice. installation instructions. www.avtronencoders.com

* See instruction sheet for full list.

SELECTION GUIDE

M3 PART NUMBERS AND AVAILABLE OPTIONS

| Model | Bore Size | Mounting Style | Line Driver | Output Location | PPR | Connector | Modifications |
|-------|-----------------------------------------------------------------------------------|--------------------------------------------------------------------|---------------------------------------------------------------------------------|-----------------------------------------------------------------------------|----------------------------------------------------------------|-----------|------------------------------------------------------------------------------------------------------------------------------------------------------------------------------------------------|
| M3- | 7-2 3/8" G-48mm 8-1 1/2" D-52mm 9-1 5/8" E-58mm 6-2" H-60mm J- 2 1/8" | S- End of Shaft T- Thru Shaft G- End of Shaft with Grounding | 1- 5 to 24 VDC 2- 5 to 18 VDC 3- 18 to 24 VDC 4- 5 to 24 V in, 5 V out | L- Single output left side R- Single output right side D- Dual output | 240 600 256 1024 360 1200 480 2048 500 2500 512 | | 000- None 003- Torque Arm Mount 005- -40° C Rating 008- 4.5" C-Face Mount 009- Northstar Pinout 015- Stainless Steel Shaft 016- 8.5" C-Face Mount 028- 12.5" C-Face Mount |

Connector

| 10 Pin Connector | | | 6 Pin MS | 5 Pin MS | Conduit Box | 3 ft. Flex. Cable |
|---------------------------------------------------------------------------------------------------------|---------------------------------------------------------------------------------------------------------|--------------------------------------------|---------------------------|---------------------------------------------------------------------------------------------------------------------------------------------|---------------------------|-------------------------------------------------------------------------------------------|
| MS | MS mini | EPIC | M940 replacement | M737A replacement | N- with color coded leads | W- Sealed, Pigtail |
| A- without Plug ^a B- with Flex. Conduit Adapter ^a C- with Plug ^a | K- with Flex. Conduit Adapter ^b L- with Plug ^b M- without Plug ^b | S- Baldor Twist Lock on V- without Plug | D- with Plug ^b | E- without Plug ^b F- with Plug ^b M727A replacement H- without Plug ^b J- with Plug ^b | T- with Terminal Block | X- Sealed, Industrial Connector without Plug Z- Sealed, Industrial Connector with Plug |

^a side exit ^b bottom exit



Nidec-Avtron Makes the Most Reliable Encoders in the World
8901 E. PLEASANT VALLEY ROAD • INDEPENDENCE, OHIO 44131-5508
TELEPHONE: (1) 216-642-1230 • FAX: (1) 216-642-6037
E-MAIL: tachs@nidec-avtron.com • WEB: www.avtronencoders.com

All dimensions are in inches [millimeters]. Specifications and features are subject to change without notice. EU-SMART™, SMARTSafe™, SMARTach II™, THIN-LINE™, THIN-LINE II™, WIDE-GAP™, and BULLSEYE32™ are trademarks of Nidec Avtron Automation. All other trademarks and registered trademarks are the property of their respective owners.